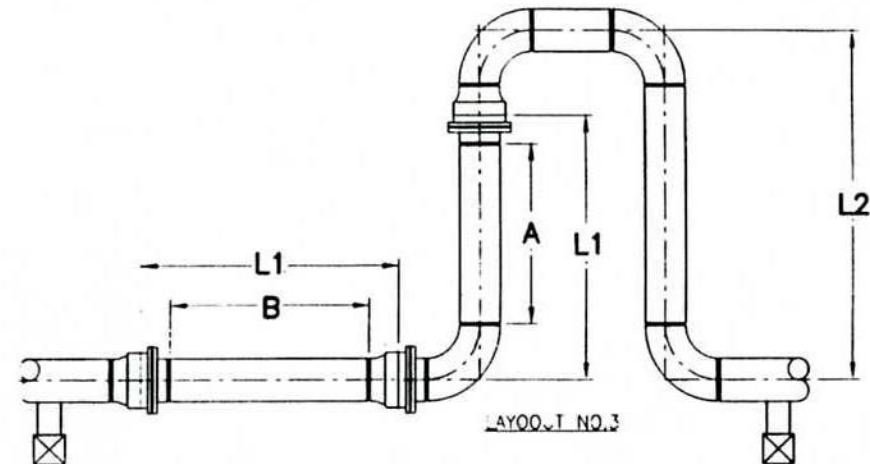
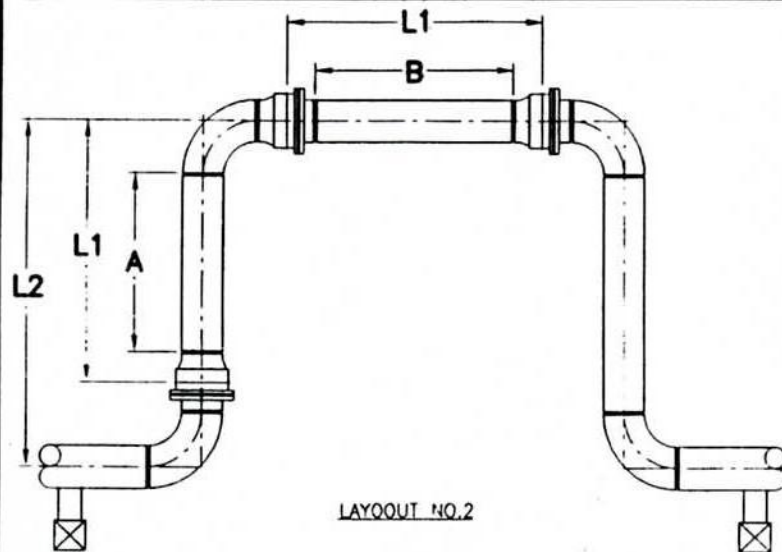
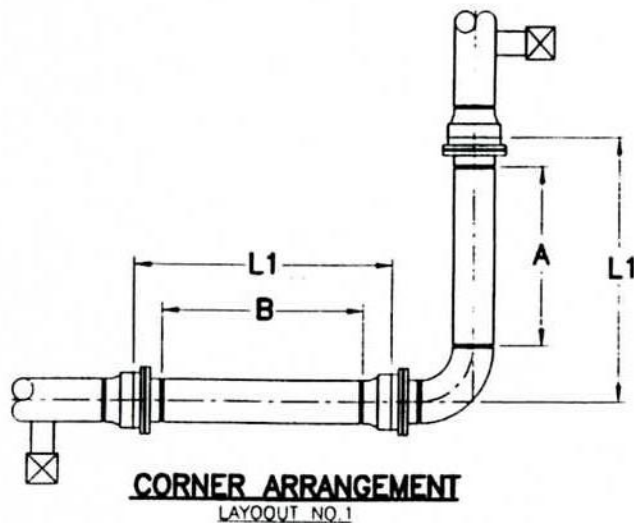


REF	REVISION	DATE	BY
A	TITLE BLK. WAS 3 PLANES	OCT/22/96	A.F.G.



**IN-LINE ARRANGEMENTS**



**KERR ENGINEERING & SALES, INC.**  
27136 PASEO ESPADA, SUITE 122  
SAN JUAN CAPISTRANO, CA 92675  
TEL 949/388-3100 FAX 949/388-5208

Information proprietary to Hyspan Precision Products, Inc. is contained on this drawing. Disclosure or use is expressly prohibited except as agreed to in writing by Hyspan.



Hyspan Precision Products, Inc.  
1685 Brandywine Avenue  
Chula Vista, California 91911

Phone (619) 421-1355  
FAX (619) 421-1702

CODE IDENT 30009

TITLE			DRAWING NUMBER	REV
3 BALL JOINT ARRANGEMENT FOR SEISMIC MOVEMENT SINGLE PLANE			QE22507	A
DRAWN BY A.F.G.	DESIGNED BY L.M.	DATE SEP/05/96	CUSTOMER HYSPAN	
APPROVED		DATE	SPECIFICATION	
SCALE NONE		SHT. 1 OF 1		

**DRAWING NOTES**

1. ALL DIMENSIONS IN INCHES UNLESS OTHERWISE NOTED.
2. BALL JOINTS 1/2" THRU 2" ARE FEMALE NPT ENDS.
3. BALL JOINTS 2-1/2" AND UP ARE STANDARD BUTT WELD ENDS.
4. LONG RADIUS 90° ELBOWS.
5. ARRANGEMENTS SHOWN CAN BE PLAN OR ELEVATION.
6. "L1" (CL. TO CL.) ARE MIN. LENGTHS FOR RESPECTIVE MOVEMENTS.
7. ACCOMPANYING "L1" DISTANCES DO NOT INCLUDE THERMAL MOVEMENTS.
8. MOVEMENTS ARE NOT CONCURRENT.
9. "FM" APPROVED FOR FIRE SPRINKLER PIPING.